

# Technical data sheet

## Junction box T 60, plug-in seal, terminal strip

Item number: 2007434



Junction box with terminal strip for the connection of cables and lines indoors and in protected outdoor areas. Square design with plug-in seals to the sides and knock-out entries in the bottom. Suitable for wall and ceiling mounting and on mounting panels. With the option to fasten inside and to mount via the corner domes. Cover with quick lock, sealable. Made from halogen-free and UV-resistant materials.

Junction box according to DIN EN 60670. Flame-resistant to DIN EN 60695/2/11, test temperature 650 °C. Impact resistance IK07 according to DIN EN 50102.



**PP** Polypropylene

### Master data

Item number	2007434
Type	T 60 KL
Description 1	Junction box
Description 2	with terminal strip + entries
Manufacturer	OBO
Dimension	114x114x57
Colour	Light grey; RAL 7035
Material	Polypropylene
Smallest sales unit	5
Unit of quantity	Piece
Weight	16.7 kg
Weight unit	kg/100 pc.

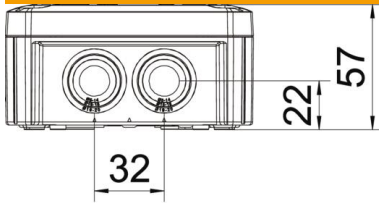
# Technical data sheet

## Junction box T 60, plug-in seal, terminal strip

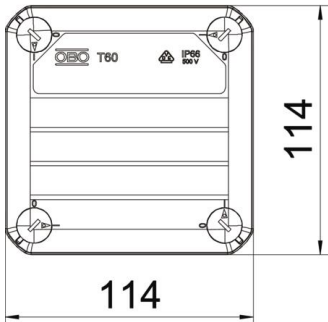
Item number: 2007434



### Dimensions



Length	114 mm
Width	114 mm
Height	57 mm



### Technical data

Expandable	yes
No. of entries	7
Number of terminals	5
Type of insertion...	Plug-in seal
Type of entry	Cable
Type of housing penetration	Cutable stepped membrane
Measured insulation voltage Vi	500 V
Equipment	Terminal
Cover	Not transparent
Cover fastening	Screwed
Entry from rear	yes
Entries	7 x M25
Explosion-tested version	no
Flame-resistant	acc. to VDE 0471/DIN 695 Part 2-1, test temperature 650°C
Shape	Square
Maintain electrical functions	Without
For Ex zone	Without
For Ex zone gas	Without
For Ex zone dust	Without
Fibre-glass reinforced	no
Halogen-free	yes
Clear internal dimensions	100x100x48 mm
With screening	no
with lid	yes
Mounting type	Wall/ceiling mounting
Nominal cross-section, min.	6 mm <sup>2</sup>
Nominal voltage	500 V
Sealable	yes
Protection rating	IP66

# Technical data sheet

Junction box T 60, plug-in seal, terminal strip

Item number: 2007434



## Technical data

Protection rating IK code	IK07.
Permitted temperature range, max.	60 °C
Permitted temperature range, min.	-5 °C
Weatherproof	no