

Technical data sheet

Wall and support bracket MWAG 12 A2

Item number: 6424402



Light-duty wall and support bracket with edged design for screwless mesh cable tray fastening.
Including truss-head bolt M10 x 25 for fastening to U supports.
Including truss-head bolt M10 x 25 for fastening to U supports.



A2 Stainless steel

2B Bright, treated

Master data

| | |
|---------------------|--------------------------|
| Item number | 6424402 |
| Type | MWAG 12 21 A2 |
| Description 1 | Wall and support bracket |
| Description 2 | for mesh cable tray |
| Manufacturer | OBO |
| Dimension | B210mm |
| Material | Stainless steel |
| Surface | Bright, treated |
| Surface standard | |
| Smallest sales unit | 1 |
| Unit of quantity | Piece |
| Weight | 26.9 kg |
| Weight unit | kg/100 pc. |

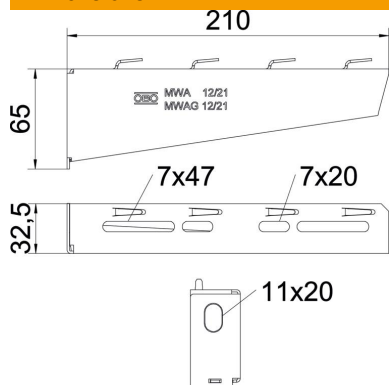
Technical data sheet

Wall and support bracket MWAG 12 A2

Item number: 6424402



Dimensions



| | |
|-------------|---------|
| Width | 210 mm |
| Height | 65 mm |
| Dimension A | 32.5 mm |
| Dimension B | 210 mm |
| Dimension H | 65 mm |

Technical data

| | |
|--|--------------------------|
| Version for | Wall and support bracket |
| F in kN | 1.2 kN |
| Maintain electrical functions for width min. | no |
| Hole diameter | 200 |
| Rustproof steel, pickled | 11 mm |
| Angle range, max. | no |
| Angle range, min. | 90 mm |
| | 90 mm |

Characteristic anchor load values for wall and support bracket MWAG 12

| Wall fastening | Max. load [kN] | | | |
|----------------|--------------------|-----|-----|-----|
| | Bracket width [mm] | | | |
| Anchor type | 110 | 210 | 310 | 410 |
| BZ3 10x90/0-30 | 1.2 | 1.2 | 1.2 | 1.2 |

Die angegebenen Werte basieren auf ungerissenen Beton der Festigkeitsklasse C20/25. Die Einbaubedingungen der ETA-Zulassung (Dübel) sind zu beachten!

Load values for MWAG 12 on suspended support

| Support | Max. total load F in kN | | | |
|------------------|-------------------------|-----|-----|-----|
| | Bracket length in mm | | | |
| | 100 | 200 | 300 | 400 |
| US 3 K/ 20 - 60 | 1.2 | 1.2 | 1.2 | 1.2 |
| US 3 K/ 70 - 120 | 1.2 | 1.2 | 1.2 | 1.2 |
| US 5 K/ 20 - 60 | 1.2 | 1.2 | 1.2 | 1.2 |
| US 5 K/ 70 - 120 | 1.2 | 1.2 | 1.2 | 1.2 |